

## ELEMENT 30/220-240/24 G2 (NEW)

ELEMENT G2 24V | Constant Voltage – Non dimmable



### Product family features

- Linear form factor
- Power factor: >0.95 at full load
- Total Harmonic Distortion (THD): < 15%
- Output voltage tolerance: < 3%
- Up to 30,000 h @  $T_c$  max / up to 50,000 h @  $T_c$  -10 °C
- Lifetime: up to 30,000 h (temperature at max.  $t_c$ )

### Product family benefits

- High efficiency up to 92%
- Higher quality of light thanks to < 3% output ripple current
- Excellent price/performance ratio
- Class II design for wide application
- 3 years guarantee

## Areas of application

- Decorative lighting in hospitality, restaurants and Shops
- Shelf lighting
- Cove lighting
- Under cabinet lighting

## Technical data

### Electrical data

<b>Nominal input voltage</b>	220...240 V
<b>Mains frequency</b>	50...60 Hz
<b>Input voltage AC</b>	198...264 V
<b>Input voltage DC</b>	not relevant
<b>Total harmonic distortion</b>	< 10 %
<b>Power factor <math>\lambda</math></b>	0.95
<b>Efficiency in full-load</b>	86 % <sup>1)</sup>
<b>Device power loss</b>	4.9 W <sup>2)</sup>
<b>Inrush current</b>	< 16 A <sup>3)</sup>
<b>Max. ECG no. on circuit breaker 10 A (B)</b>	13
<b>Max. ECG no. on circuit breaker 16 A (B)</b>	23
<b>Surge capability (L-N)</b>	1 kV
<b>Nominal output voltage</b>	24 V
<b>U-OUT (working voltage)</b>	25 V
<b>Nominal output power</b>	30 W
<b>Maximum output power</b>	30 W <sup>4)</sup>
<b>Galvanic isolation</b>	SELV

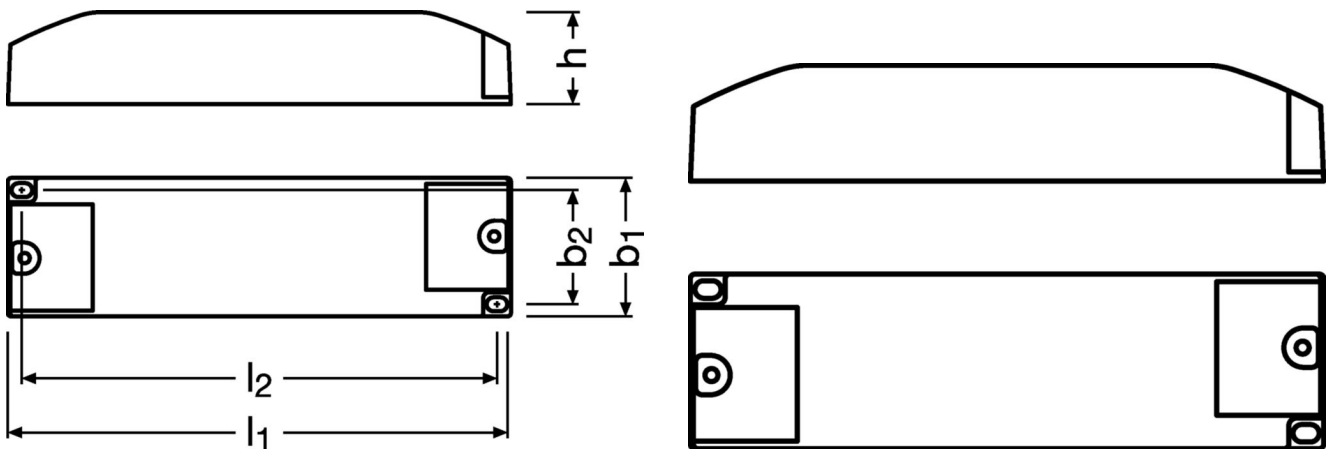
1) at 230 V, 50 Hz

2) At Full load, 230 V, 50 Hz

3) At 240  $\mu$ s

4) at steady state

## Dimensions & weight



Length	145.0 mm
Width	40.0 mm
Height	26.5 mm
Mounting hole spacing, length	137.0 mm
Cable cross-section, input side	0.75...1.5 mm <sup>2</sup>
Cable cross-section, output side	0.75...1.5 mm <sup>2</sup>
Wire preparation length, input side	5.0 mm
Wire preparation length, output side	5.0 mm
Product weight	107.00 g

## Colors & materials

Casing material	Plastic
-----------------	---------

## Temperatures & operating conditions

Ambient temperature range	-20...+50 °C
Maximum temperature at tc test point	75 °C
Max.housing temperature in case of fault	110 °C
Temperature range at storage	-40...+85 °C
Permitted rel. humidity during operation	5...85 % <sup>1)</sup>

1) Non-condensing

## Lifespan

<b>ECG lifetime</b>	30000 h <sup>1)</sup>
---------------------	-----------------------

1) At maximum  $T_c$  / 10% failure rate

## Additional product data

<b>Predecessor EAN</b>	4052899463776, 4052899528666
------------------------	------------------------------

## Capabilities

<b>Dimmable</b>	No
<b>Max. cable length to lamp/LED module</b>	3.0 m <sup>1)</sup>
<b>Suitable for fixtures with prot. class</b>	I / II
<b>Type of connection, input side</b>	Terminal
<b>Type of connection, output side</b>	Terminal
<b>Number of channels</b>	1
<b>Overheating protection</b>	Yes
<b>Overload protection</b>	Yes
<b>Short-circuit protection</b>	Yes
<b>Intended for no-load operation</b>	No

1) Output wires must be routed as close as possible to each other

## Certificates & standards

<b>Approval marks – approval</b>	CE / RCM / CCC / MM
<b>Standards</b>	Acc. to IEC 61347-1 / Acc. to IEC 61347-2-13 / Acc. to IEC 62384 / Acc. to IEC 61000-3-2 / Acc. to CISPR 15 / Acc. to IEC 61000-3-3 / Acc. to IEC 61547
<b>Type of protection</b>	IP20

## Logistical data

<b>Commodity code</b>	85044083900
-----------------------	-------------

## Environmental information

Information according Art. 33 of EU Regulation (EC) 1907/2006 (REACH)	
<b>Date of Declaration</b>	24-05-2024
<b>Primary Article Identifier</b>	4052899605503
<b>Declaration No. in SCIP database</b>	In work
<b>SCIP_STATUS</b>	In work
<b>SCIP_ID</b>	

## Ecodesign regulation information:

Intended for use with LED modules.

The forward voltage of the LED light source shall be within the defined operating window of the control gear in all operating conditions including dimming if applicable.

Separate control gear and light sources must be disposed of at certified disposal companies in accordance with Directive 2012/19/EU (WEEE) in the EU and with Waste Electrical and Electronic Equipment (WEEE) Regulations 2013 in the UK. For this purpose, collection points for recycling centres and take-back systems (CRSO) are available from retailers or private disposal companies, which accept separate control gear and light sources free of charge. In this way, raw materials are conserved and materials are recycled.

## Additional product information

- EMI pass verified with wire length of 3 m, from the ECG to the LED module at full load.
- Wiring longer than 3 m from ECG to LED module is possible, but site installation conditions may interfere with EMI with these longer cables. EMI is therefore not verified in this condition.
- For wires longer than 3 m, the appropriate cable cross section must be carefully selected to reduce voltage drop.



## Download Data

File		
Product Datasheet	PDF	▶ ELEMENT 30 G2 Technical Datasheet (EN)
CAD data	Compressed	▶ ELEMENT 30 24V G2 STEP 041219
CAD data	Compressed	▶ ELEMENT 30 24V G2 IGS 041219
Mandatory Publications	PDF	▶ ELEMENT G2 UK DoC 4307614 01 061022
Declarations of conformity	PDF	▶ ELEMENT 24V G2 CE 3776665 07 080823
User instruction	PDF	▶ ELEMENT G2 Constant Voltage Power Supply

## Logistical Data

Product code	Product description	Packaging unit (Pieces/Unit)	Dimensions (length x width x height)	Volume	Gross weight
4052899605503	ELEMENT 30/220-240/24 G2	Shipping carton box 40 Pieces	421 x 315 x 96 mm	12.73 dm <sup>3</sup>	120.98 g

The mentioned product code describes the smallest quantity unit which can be ordered. One shipping unit can contain one or more single products. When placing an order, for the quantity please enter single or multiples of a shipping unit

## References / Links

For more information on the multi-level guarantee and the terms and conditions of the guarantee visit <https://www.inventronics-light.com/multilevel-guarantees>

## Disclaimer

Subject to change without notice. Errors and omission excepted. Always make sure to use the most recent release.